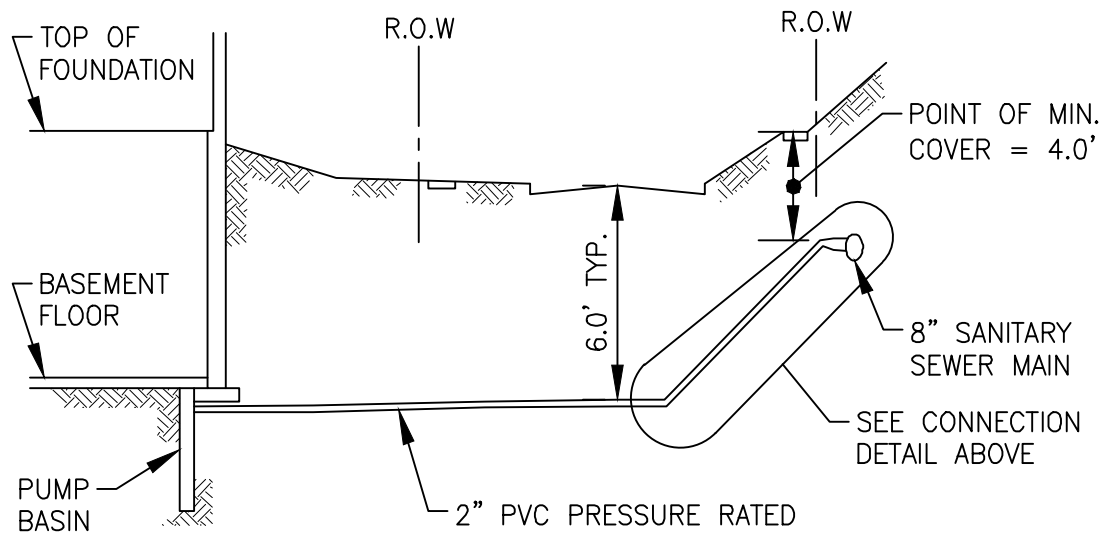


CONNECTION DETAIL  
NO SCALE



TYPICAL CROSS SECTION  
NO SCALE

**NOTE:**  
THE PUMP AND BASIN DETAILS SHOWN ARE FOR TYPICAL INFORMATIONAL PURPOSES ONLY. ALTERNATES MAY BE USED UPON APPROVAL OF THE DOWNERS GROVE SANITARY DISTRICT.

FORCE MAIN SERVICE DETAIL  
DOWNERS GROVE SANITARY DISTRICT