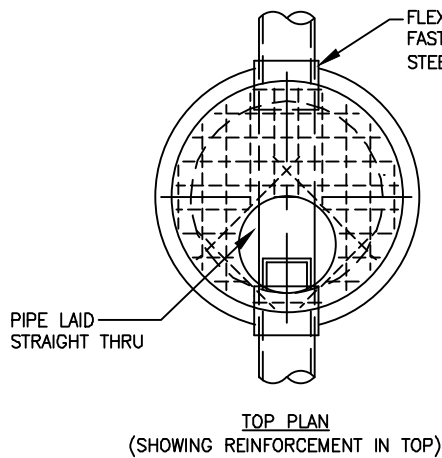


DIAMETER OF MAIN SEWER	INSIDE DIAMETER OF MANHOLE	TOP REINFORCEMENT	BOTTOM REINFORCEMENT
18" & UNDER	4'-0"	#5 BARS @ 6"O.C.	#5 BARS @ 6"O.C.
21" THRU 42"	5'-0"	#6 BARS @ 6"O.C.	#6 BARS @ 6"O.C.



GENERAL NOTES:

1. PRECASE REINFORCED CONCRETE RISERS, TOP & BOTTOM SHALL CONFORM TO ASTM C-478.
2. MANHOLE STEPS SHALL BE NEENAH R-1981-1 W/ POLYPROPYLENE COATING SIMILAR TO M.A. INDUSTRY PS-1-PF OR APPROVED EQUAL.
3. WHERE REQUIRED, WATERPROOF FRAMES SHALL BE NEENAH R-1755 W/ LID AS ABOVE OR APPROVED EQUAL.
4. THE SPACE BETWEEN THE TOP, ADJUSTING RINGS AND FRAME SHALL BE COMPLETELY SEALED WITH PREFORMED BITUMINOUS MASTIC GASKET.
5. CUT OUT TOP PORTION OF PIPE AFTER POURING CONCRETE BENCH.

MANHOLE DETAIL (SHALLOW DEPTH)
DOWNERS GROVE SANITARY DISTRICT

REV. 10-20-84
REV. 8-12-97
REV. 11-21-00
REV. 2-1-15