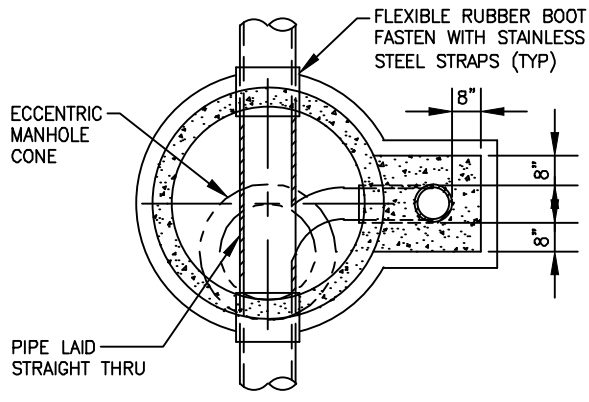


DIAMETER OF MAIN SEWER	INSIDE DIAMETER OF MANHOLE
18" & UNDER	4'-0"
21" THRU 42"	5'-0"

DIAMETER "A"	DIAMETER "B"
8" TO 18"	8"
21" TO 30"	12"



- GENERAL NOTES:
1. PRECAST REINFORCED CONCRETE RISERS, TOP & BOTTOM SHALL CONFORM TO ASTM C-478.
 2. MANHOLE STEPS SHALL BE POLYPROPYLENE COATED STEEL BAR, M.A. INDUSTRIES PS1-PF, AMERICAN STEP COMPANY ML-10, LANE P-10938, OR APPROVED EQUAL.
 3. WHERE REQUIRED, WATERPROOF FRAMES SHALL BE EAST JORDAN IRON WORKS 1885 W/ LID, WITH EXTERNAL FRAME SEAL, CRETEX OR APPROVED EQUAL.
 4. THE SPACE BETWEEN THE CONE, ADJUSTING RINGS AND FRAME SHALL BE COMPLETELY SEALED WITH PREFORMED BITUMINOUS MASTIC GASKET.

SECTION
 BARREL PLAN
DROP MANHOLE DETAIL
 DOWNERS GROVE SANITARY DISTRICT

REV. 10-20-84
 REV. 8-12-97
 REV. 4-23-98
 REV. 11-21-00
 REV. 2-1-15
 REV. 9-14-15